

Operational Support Systems for Submarine Networks

Sea Reach
Systems

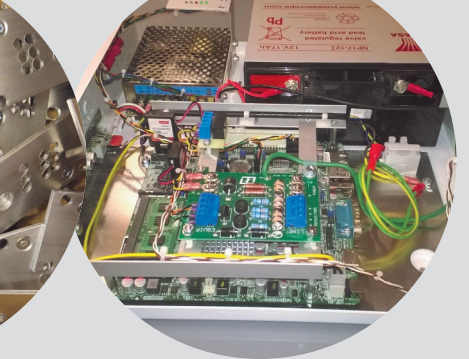
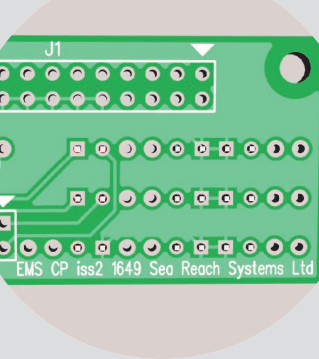
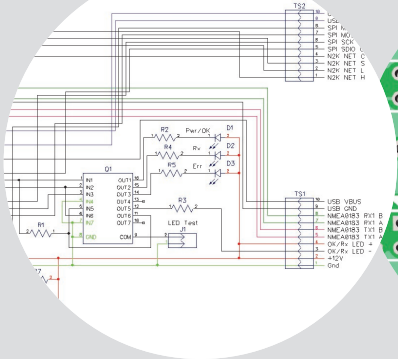
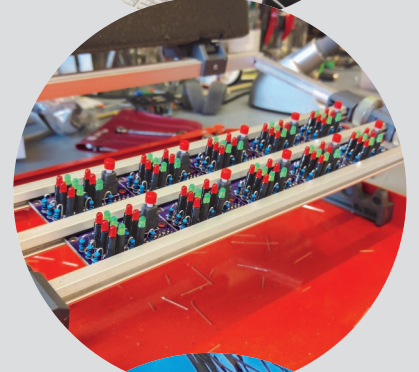
Software and embedded systems that drive operational efficiency and reduce costs.

Our long industry experience allows us to quickly understand your needs and deliver solutions that fit the submarine cable operating environment.

We design, build, install and support solutions that are custom built from the ground up for the submarine cable industry.

Contact us to find out how we can help reduce network outages and MTTR, drive efficiency, and reduce costs.

In the current climate of continuing price erosion yet ever higher demand for capacity, operational efficiency is key to the success of submarine cable manufacturers, installers and operators. The systems required to understand the condition of the subsea network and take swift and appropriate action when needed are more important than ever. Sea Reach Systems' has the in-depth knowledge and experience to meet these needs with innovative systems that help improve margins and reduce wasted time and resources. We produce both bespoke and in-house developed equipment and software to reduce your operating costs and drive efficiency.



Projects

Some of the projects we have undertaken:

Vessel Activity Monitoring

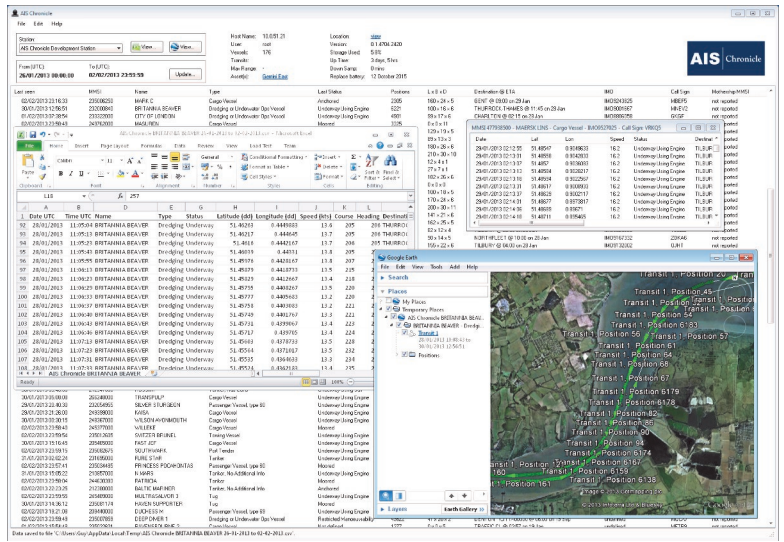
We have deployed our AIS Chronicle system to twelve countries on three continents for submarine cable protection. We provide ongoing analysis of vessel activity, long term support and ongoing development to meet the needs of our customers.

Power Feed Monitoring

We have developed this solution to replace legacy PFE monitoring systems of that have failed or become impossible to maintain. We have deployed these systems to eleven cable stations throughout the Americas and Europe. This modern solution provides integration with alarm management systems and independence from transmission equipment upgrades.

Consultancy

We have consulted on many projects from the resurrection of subsea systems that had been lying cold on the seabed for over a decade to wireless data networking solutions for offshore oil fields. Our innovative approach and long experience combine to add value and solve problems.



Products and Services

Network Management Systems

Alarm concentrators, forwarding and management

Vessel activity monitoring and analysis for cable protection

Dark fibre monitoring for repeated and unrepeated systems

NOC process automation

Optical and DC fault location automation and consulting

Off-net data communications for redundancy and security

Building management integration with network management systems

Submerged plant monitoring during installation

Integration of disparate systems to eliminate 'swivel chair' interfaces

Sea Reach
Systems

Sea Reach Systems Ltd.

Basepoint Business Centre, Victoria Road, Dartford. DA1 5FS. United Kingdom.

Tel. +44 (0)1322 518203

Email. info@seareachsystems.com

Web. <http://www.seareachsystems.com>

Registered in England & Wales, company No. 08352172